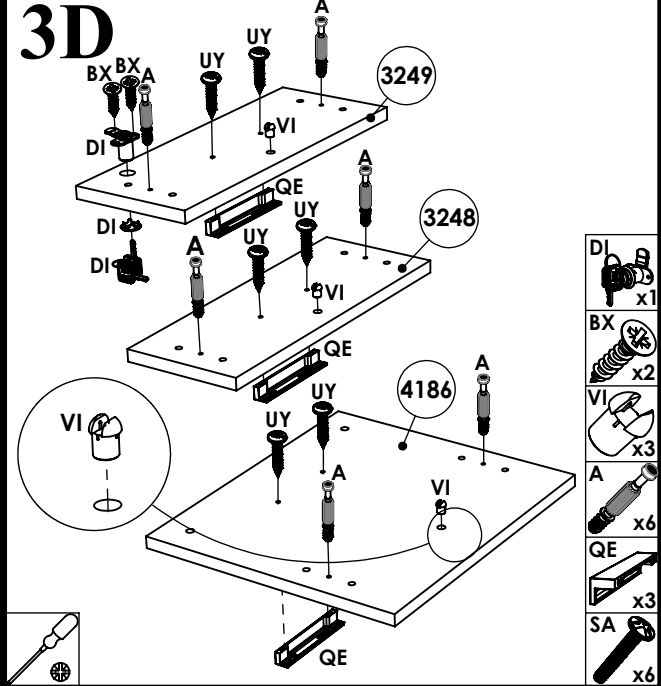
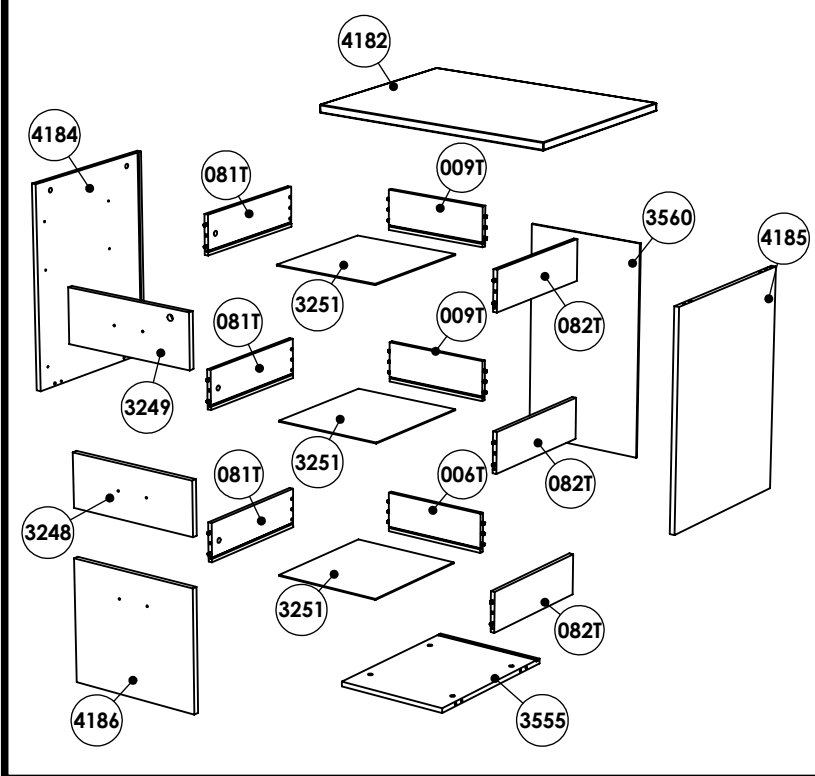
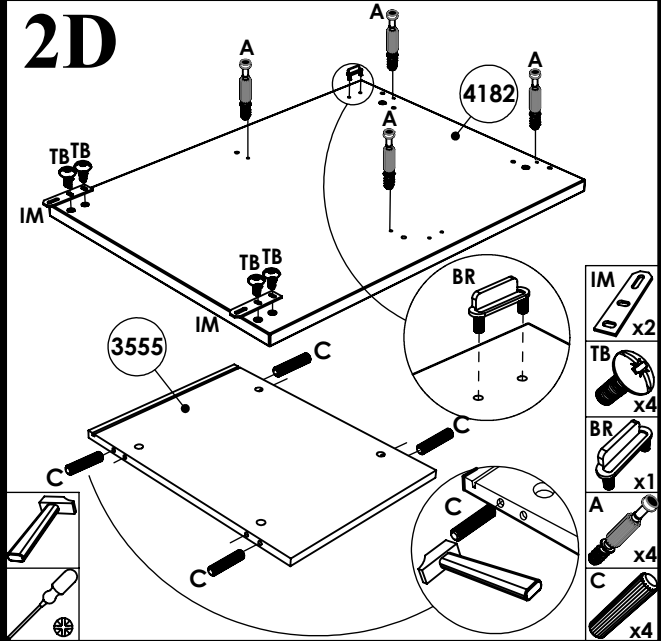
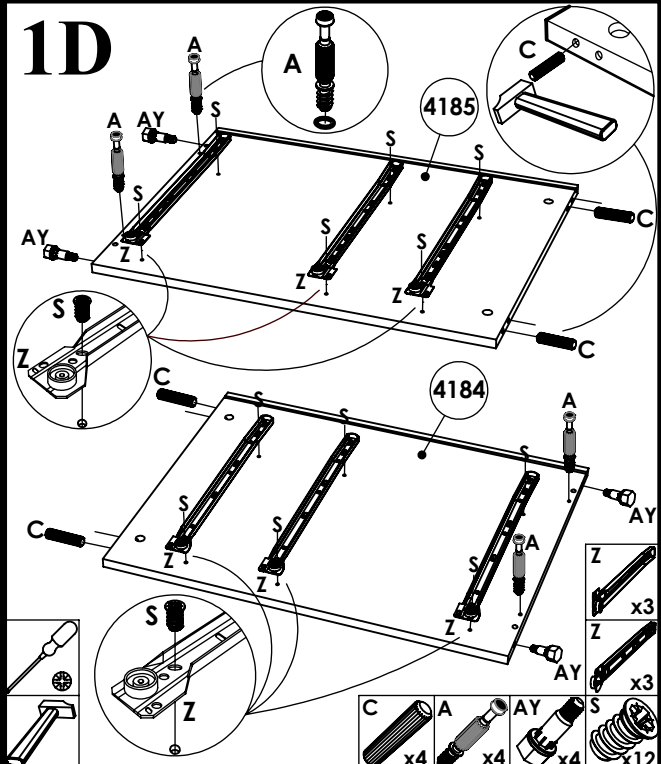
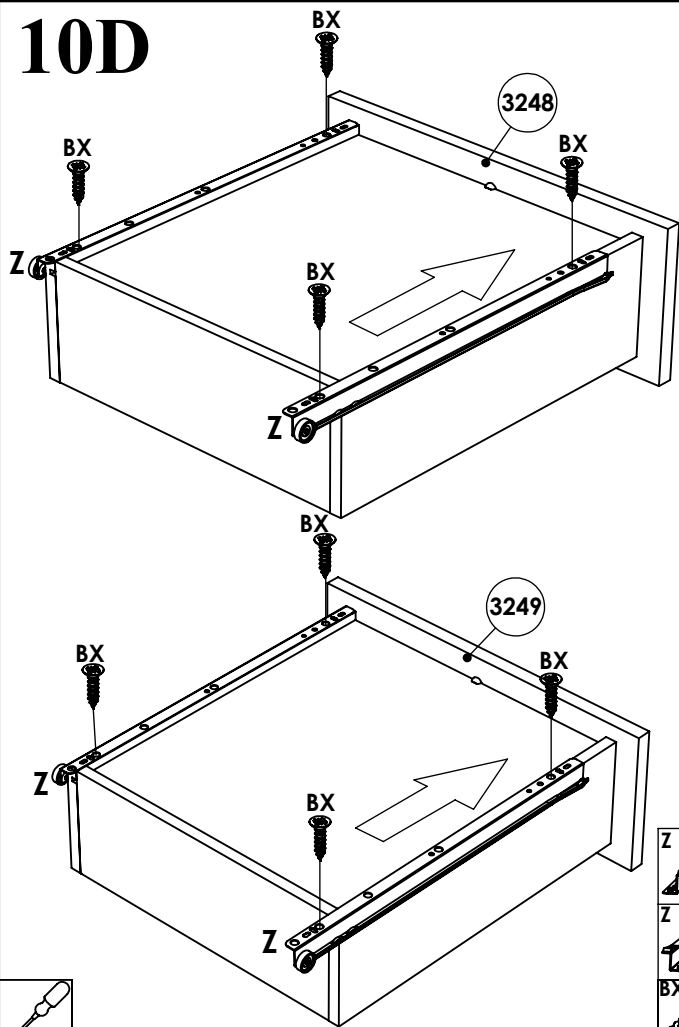


Droit

A x14	AB colle x1	AY x4	B x8	BR x1	BX 3,5 x 1,5 x14	C 8 x 35 x8	DI x1	IM x2
JC x6	QE 10mm x3	S 6 x 10,5 x12	SA M4 x 25 x6	TB M6 x 16 x6	U x1	VB x1	VI x3	XG x2
XH x1	Z x3							
2,5m	90 mm	x1				12		

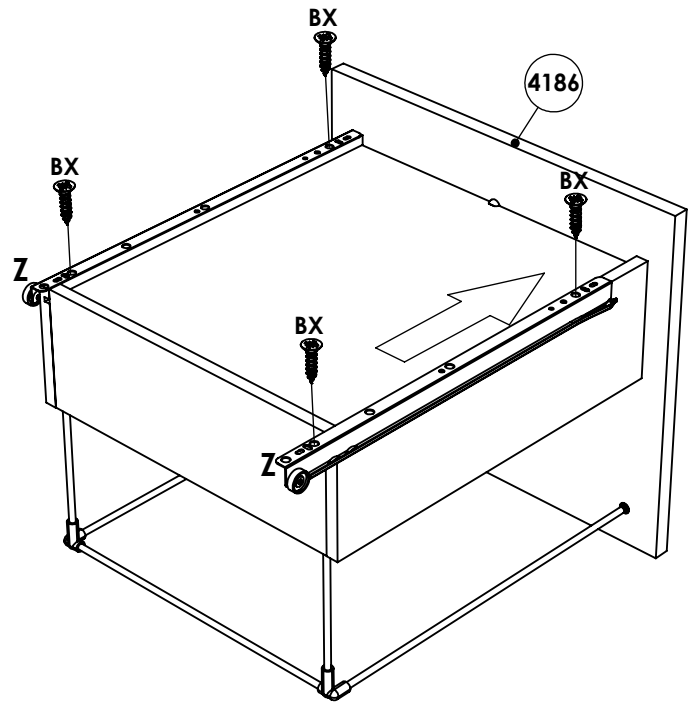


10D



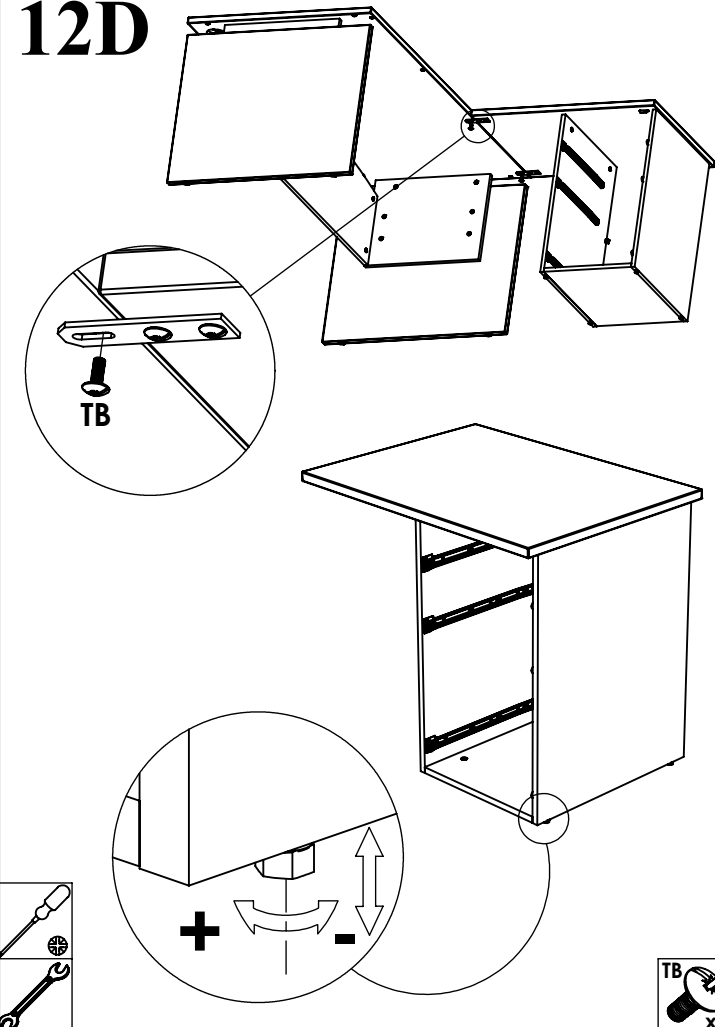
- Z x2
- Z x2
- BX x8

11D



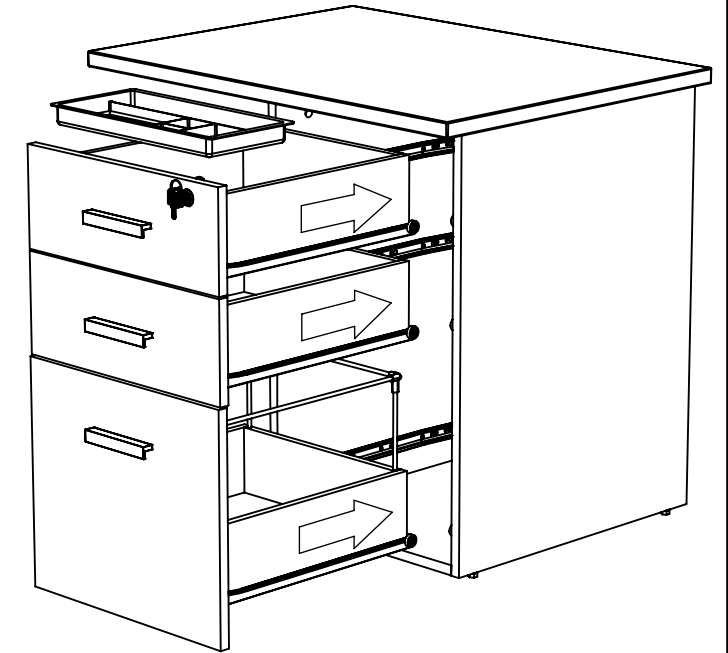
- Z x1
- Z x1
- BX x4

12D

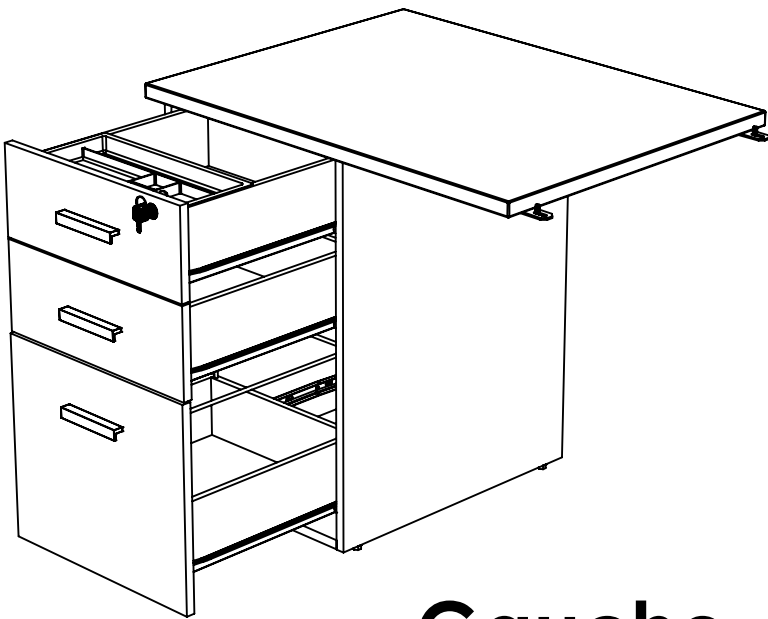


- TB x2

13D

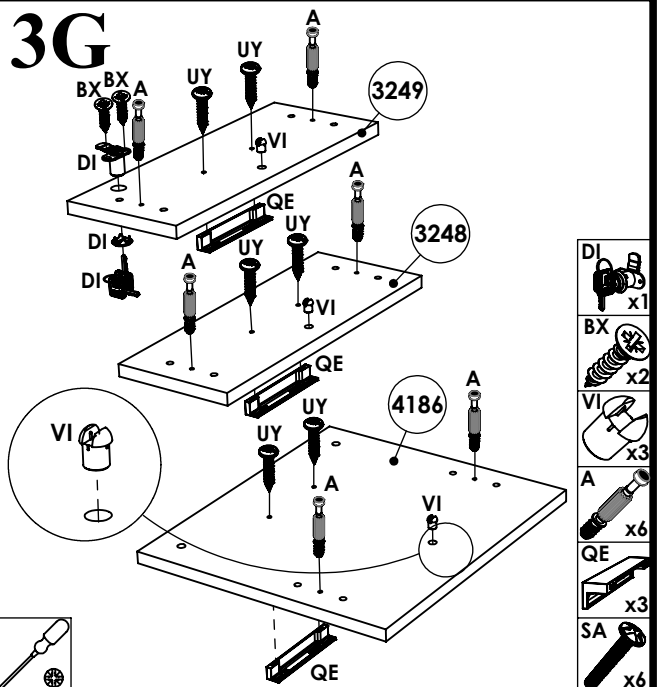
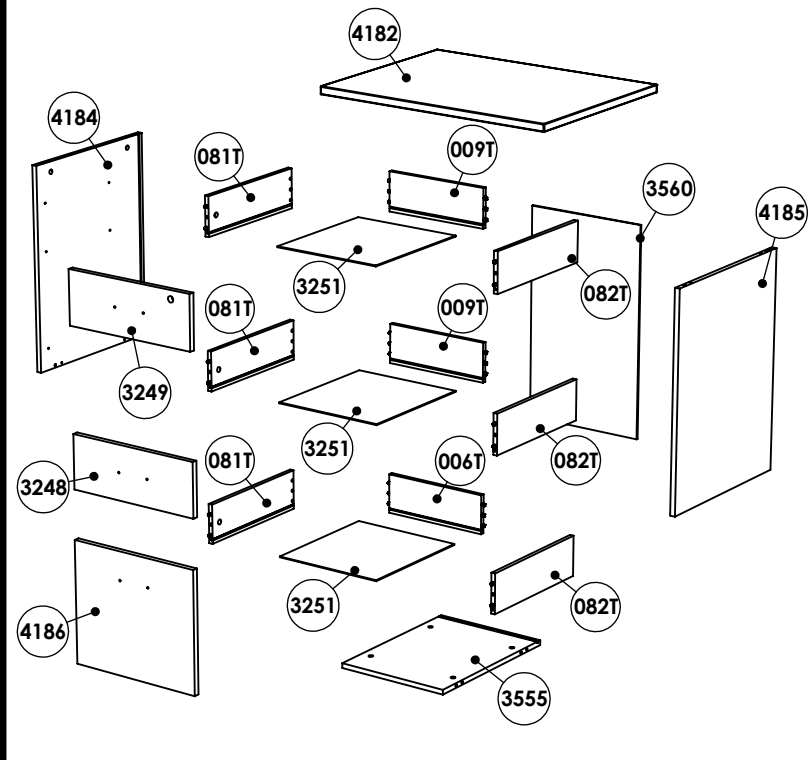
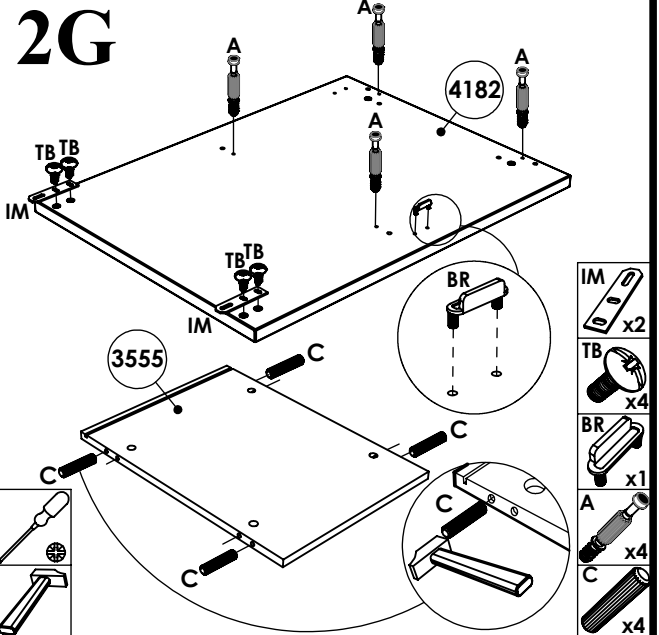
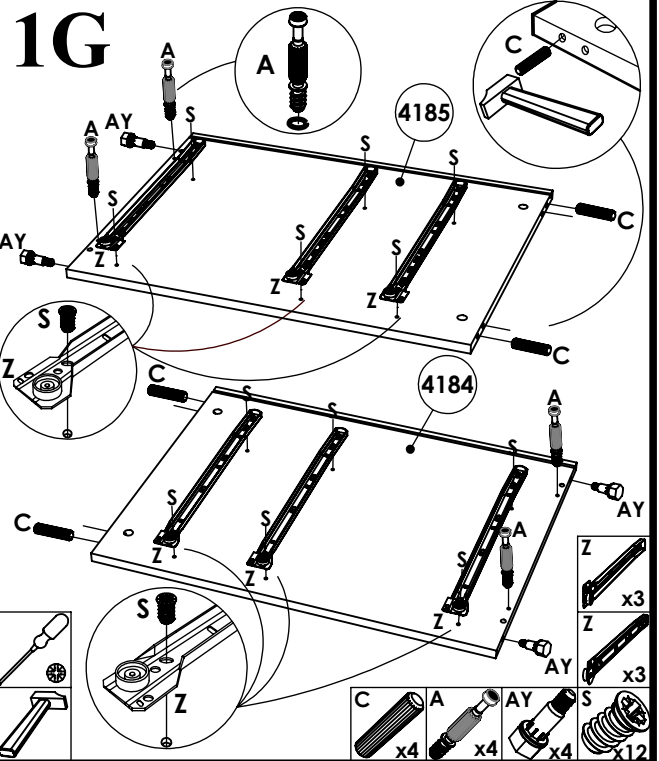


- XH x1

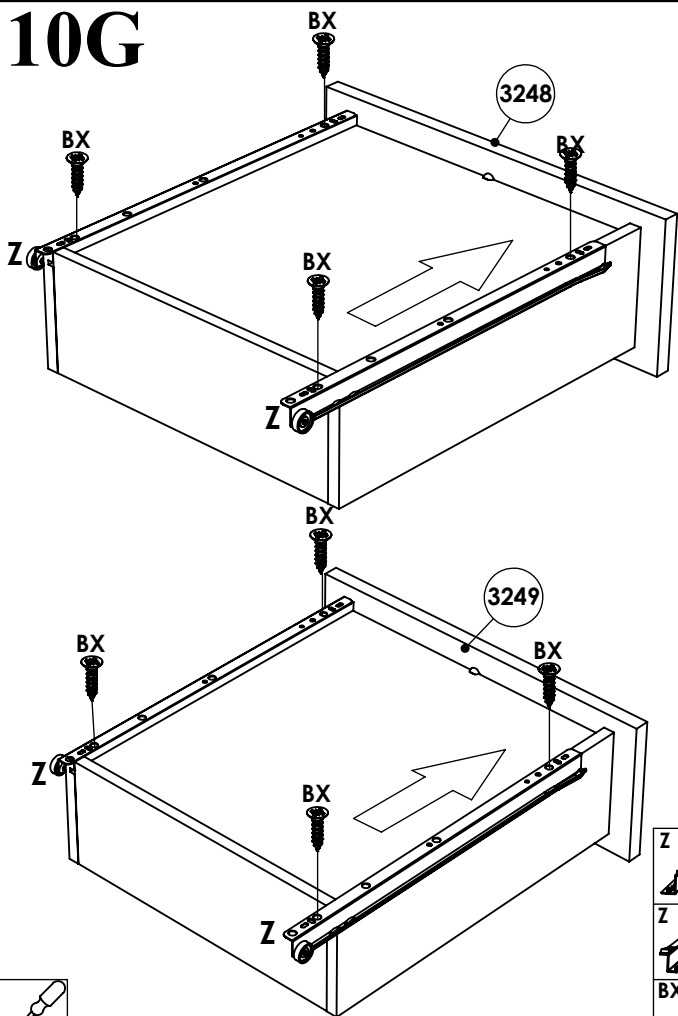


Gauche

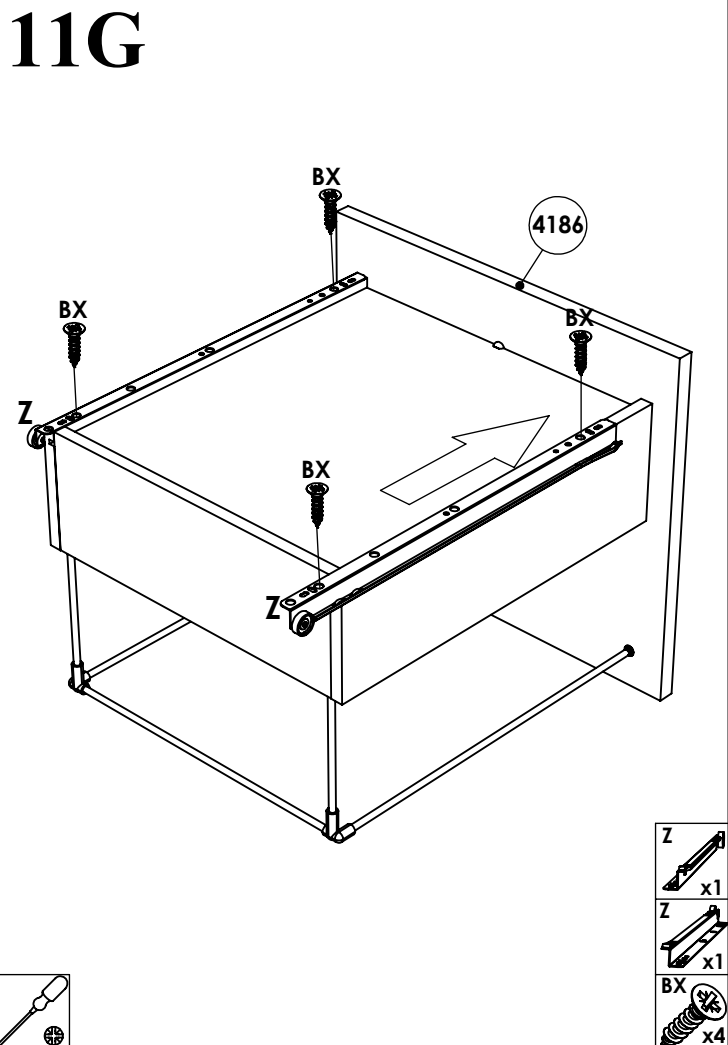
A x14	AB colle x1	AY x4	B x8	BR x1	BX 3,5 x 14 x14	C 8 x 35 x8	DI x1	IM x2
JC x6	QE x3	S 5 x 10,5 x12	SA M4 x 25 x6	TB M6 x 16 x6	U x1	VB x1	VI x3	XG x2
XH x1	Z 400 x3							
2,5m 1m	90 mm	x1					12	



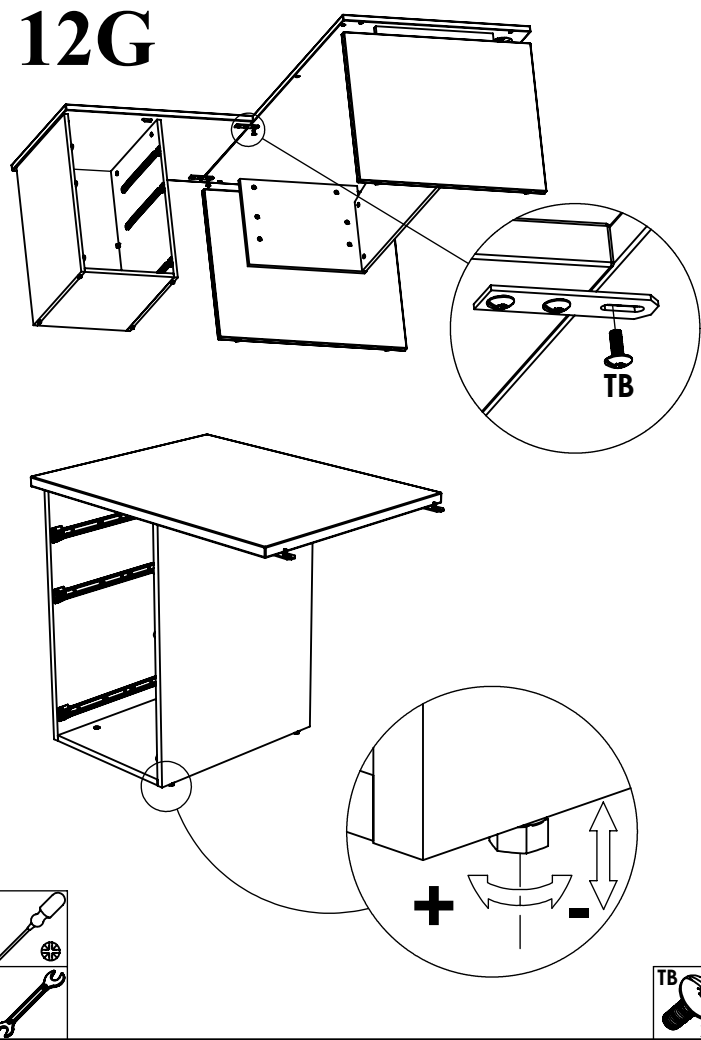
10G



11G



12G



13G

